

# SN2

Bipolar switch Belimo for B(L)F(T)

K21-A 12/2010

## PRODUCT PRESENTATION

The auxiliary switch unit SN2 is intended for the signalling of end positions or for performing switching functions at any angular position for B(L)f(T) damper motors. A driver disk is positively attached to the spindle clamp so that there is a direct link between its position and the microswitch operating cams. The switching points can be set anywhere in the range from 0 to 10 by means of a dial. The switch position can be read off at any time.

## LIST OF PARTS

	Description	Characteristics	Number
1	Driver		1
2	Bracket		1
3	Screw	M6 x 67	2
4	U-washer	M8	2
5	Hexagon nuts	M6	2
6	Screw	M3 x 25	1
7	Position indicator		1
8	Crank handle 40 mm		1
9	Auxiliary switch	SN2	1
10	Label 'KIT' (Yellow)	ETIK-D042	1

## DETAILED CHARACTERISTICS

	SN2
Number of switches	2
Position switches	1 mA...3A, DC 5V...AC 250V
Protection degree	IP 54
Working temperature	-30°C up to 50°C
Weight	175 g
Maintenance	Maintenance free
Connecting cable	1m/ 6 x 0.75mm <sup>2</sup>

## ELECTRICAL WIRING

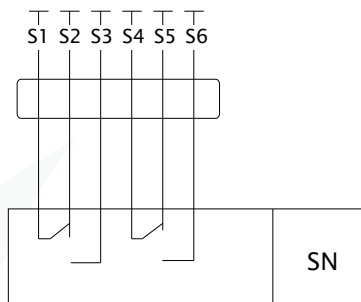
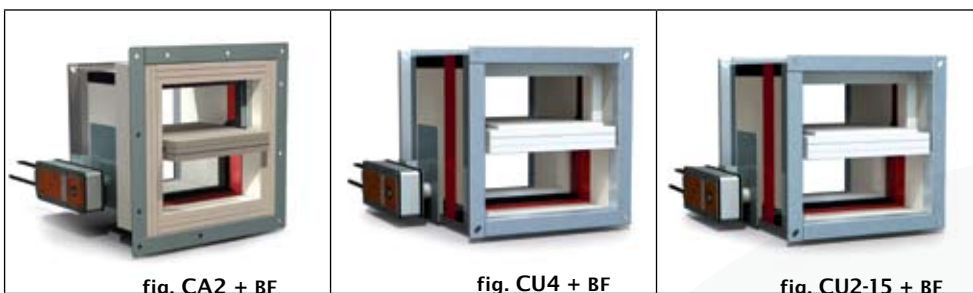
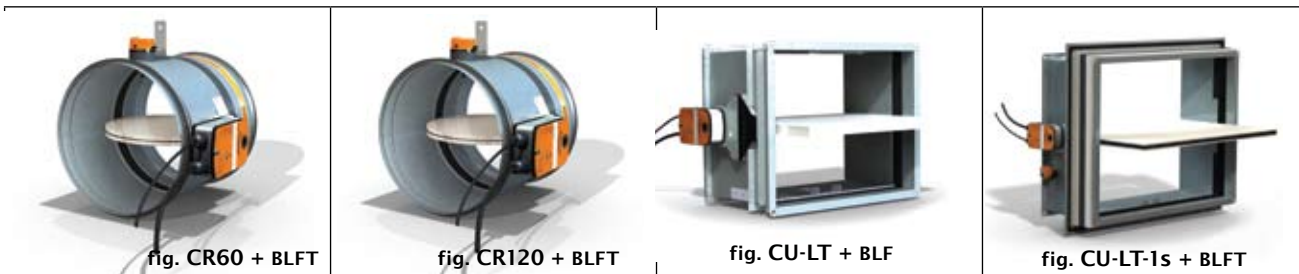


Fig. SN2

APPLICATIONS SN2





### OPERATIONS BLF(T) - BF(T)

**Manual rearmation:**

1. To rearm the damper manually, use enclosed handle.
  - BLF(T)**  
=> Turn clockwise
  - BF(T)**  
=> Turn anti-clockwise
2. To block the motor, turn the motor a quarter of a turn back

**Manual unlocking:**

- To unlock the motor, use enclosed handle.
- BLF(T)**  
=> Turn 1/4 clockwise
  - BF(T)**  
=> Turn 1/4 anti-clockwise

**CAUTION!**

- => ! Do not use a drill or screwing machine
- => ! Stop as soon as the motor is completely rearmed (end of range)

**Motorized rearmation:**

1. Switch off the power supply for at least 10 sec.
2. Supply the actuator (respect the prescribed voltage) for at least 140 sec (BF) / 75sec. (BLF)
3. The rearmation stops automatically
  - when the end of range is reached (damper open), it takes about 75 sec. to arm the damper (BLF) (140sec. for BF)
  - when the power supply is interrupted

**Remote controlled unlocking:**

By interrupting the power supply

**Automatic unlocking:**

As soon as the temperature of the thermo-electric fuse exceeds 72°C (Types BLFT)

=> ! The thermo-electric fuse will not interrupt the power supply after manual rearmation



Fig. BF



Fig. BLF

**MOUNTING**

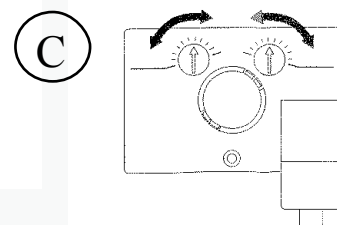
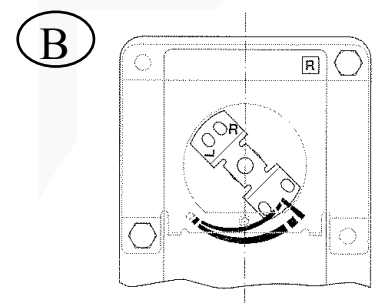
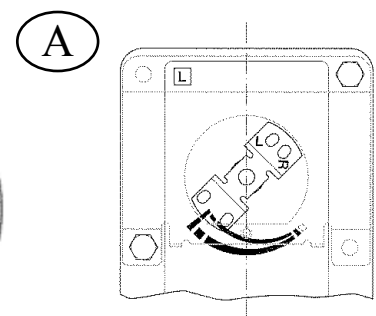
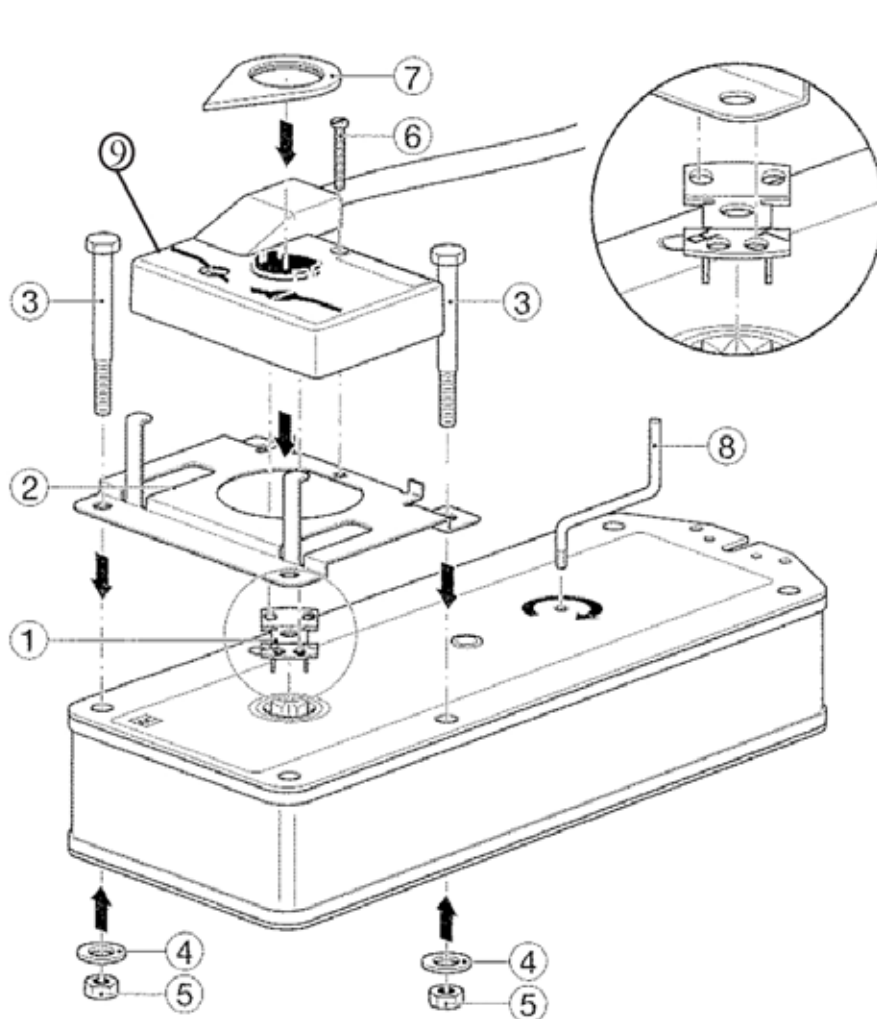
Mounting on L-side (fire damper)

1. Rotate the actuator to the anti clockwise end stop
2. Fit the driver (1) to the actuator as shown on diagram A. L on driver (1) has to be adjacent to actuator centreline.

Mounting on R-side (smoke evacuation damper)

1. Rotate the actuator to the anti clockwise end stop
2. Fit the driver (1) to the actuator as shown on diagram B. R on driver (1) has to be adjacent to actuator centreline.

3. Fit the bracket (2) to the actuator.
4. Fit the auxiliary switch SN2 (9) to the bracket .  
Note: The two pins on the underside of the auxiliary switch must engage accurately in the holes in the driver (1).
5. Adjust the operating points of the auxiliary switch (9) as required. See diagram C.
6. Fit the position indicator (7).
7. Apply the yellow label 'KIT' to the actuator.



If the shutter is manipulated in any other way than described in this manual, Rf-Technologies will decline any responsibility and the guarantee will immediately expire!